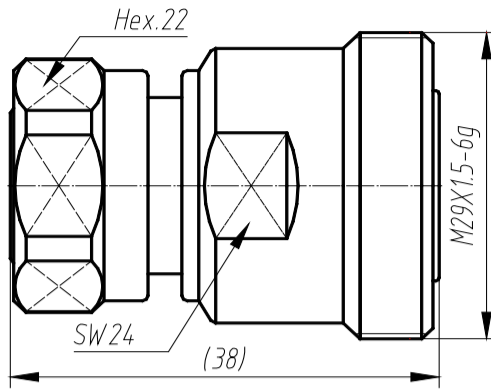


Product Specification

7/16F-4.310M, Orbis product code: 3003554



7/16 straight female to 4.3-10 straight male adapter

ID:2.4.81.8122.3(01B)

Rev: A0

Material and Plating

Center contact	Tin-bronze / Silver Plated
Outer contact & Body	Brass/Trimetal Plating
Dielectric	PTFE
Gasket	Silicon Rubber
Nut	Brass / Nickel Plated

Electrical Specifications

Characteristics Impedance	50 Ohm	
Frequency Range	DC~6GHz	
Insulation Resistance	≥10000MΩ	
Dielectric Withstanding Voltage	2500V rms	
Operating Voltage	1400V rms	
Contact resistance	4.3-10 type	7/16 type
Center contact resistance	≤1.5 mΩ	≤0.4mΩ
Outer contact resistance	≤1.5 mΩ	≤0.2mΩ
Insertion Loss	@DC-3 GHz	≤0.10dB
VSWR	@DC-3 GHz	≤1.10
PIM3(2*43dBm)		≤-160dBc

Environmental & Mechanical Specifications

Durability (matings)	≥500 cycles
Mechanical Shock Test Method	MIL-STD-202, Method 213, Test Condition D
Vibration Test Method	MIL-STD-202, Meth. 204, Cond. A
Temperature Range	-65°C to +165°C
RoHS	Compliant

Regulatory Compliance / Certification

ISO 9001:2015	Compliant
---------------	-----------

Maahantuoja / Imported by:
www.orbis.fi - www.orbis.eu - www.orbis.com.ru