



# HUBER+SUHNER<sup>®</sup> SENCITY<sup>®</sup> INDOOR ANTENNA FOR WIRELESS COMMUNICATION

## Mounting Instruction

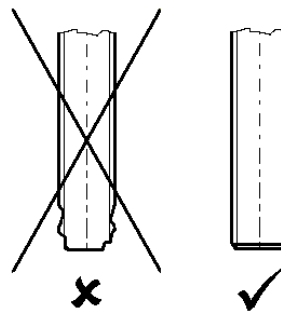
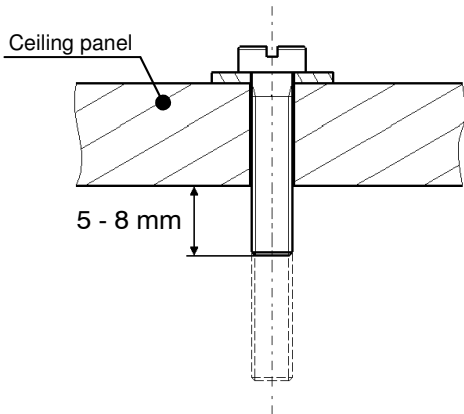


Be careful when working at height!  
Always secure ladders!  
Always tighten screws!

- 1) A large washer is supplied to share the antenna weight upon a large surface, which will avoid damaging the mounting surface. If necessary the mounting surface should be reinforced.
- 2) The diameter of the hole should allow for the tightening of the N plug connector to the antenna. The standard N plug connector has a diameter of  $\varnothing 21$ .

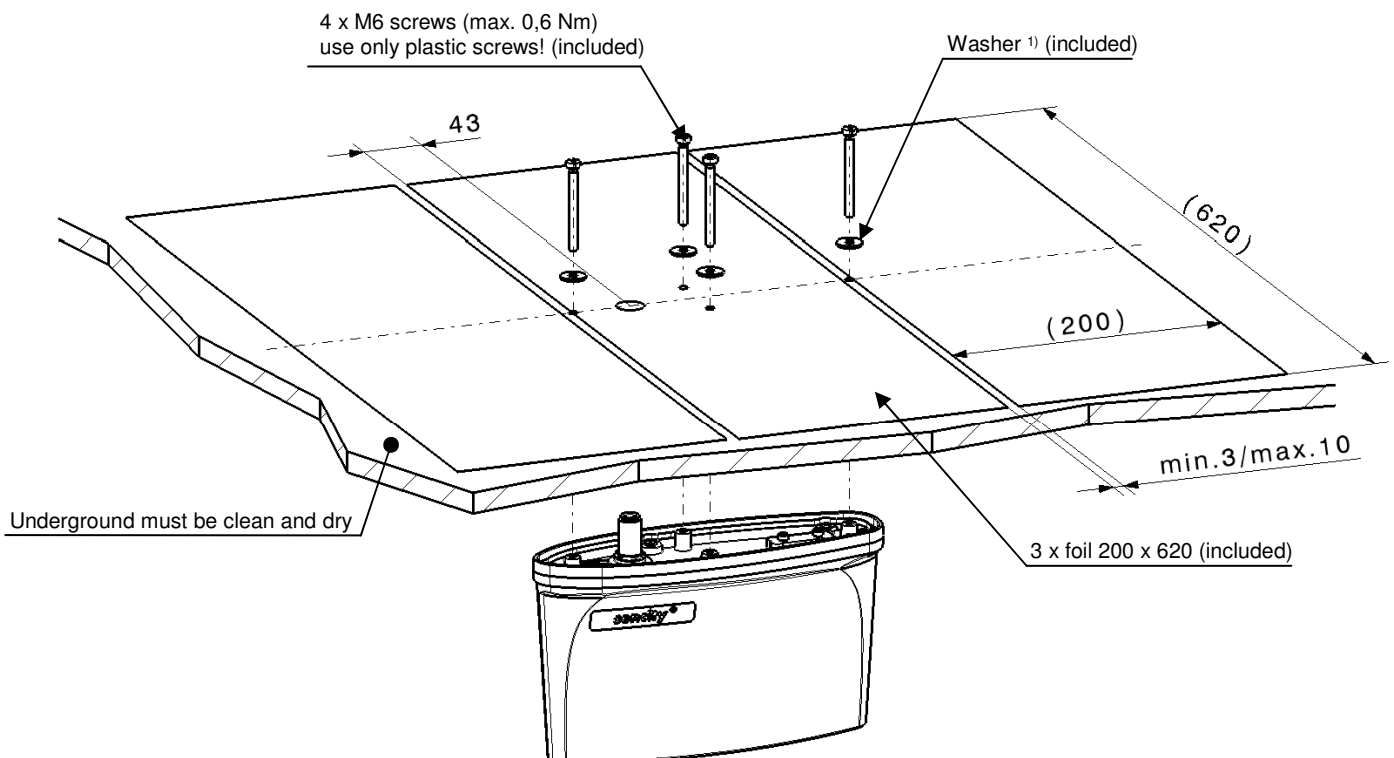
Dimensions in millimeter [mm]

trim screws



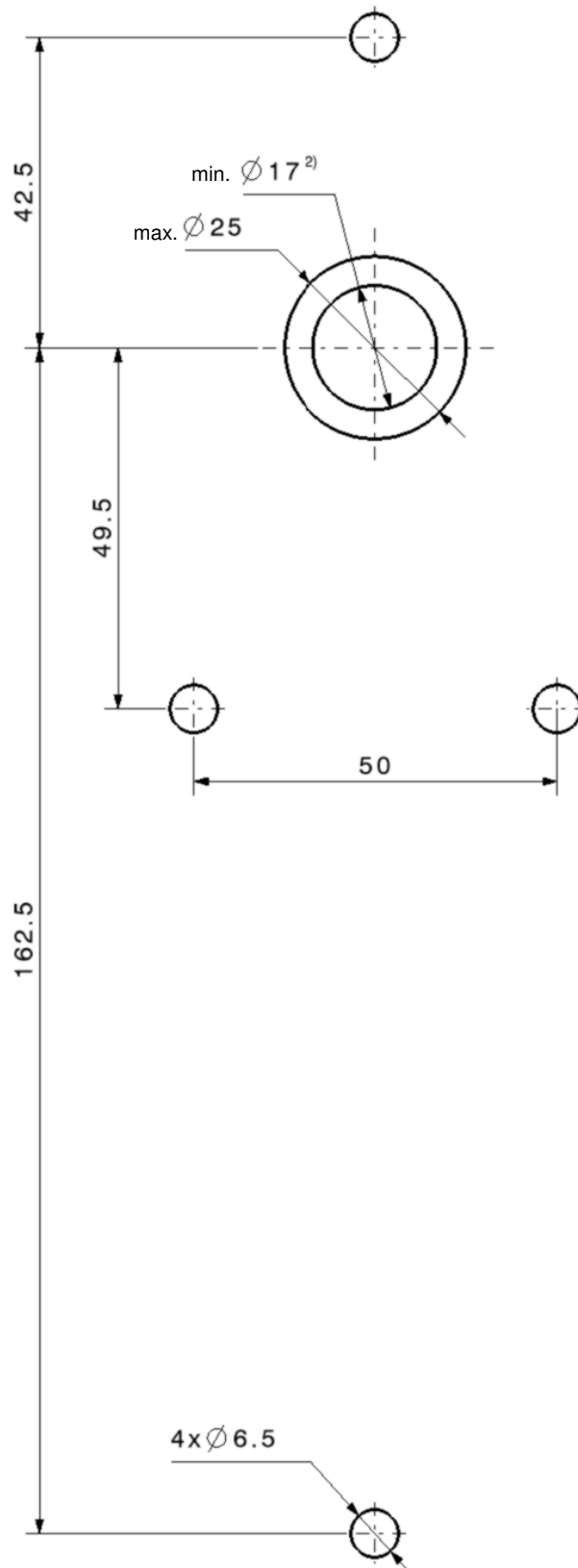
Trim the screws to the required length.  
Make sure the thread is not damaged.  
See pictures

Mounting antenna



Dimensions in millimetre [mm]

This drawing can be used as drilling template.  
Do not scale.  
Do not revise manually.



HUBER+SUHNER is certified according to ISO 9001 and ISO 14001

**WAIVER!**

It is exclusively in written agreements that we provide our customers with warrants and representations as to the technical contained specifications and/or the fitness for any particular purpose. The facts and figures herein are carefully compiled to the best of our knowledge, but they are intended for general informational purposes only.



**HUBER+SUHNER AG**  
**RF Technology**  
**9100 Herisau, Switzerland**  
Phone +41 (0)71 353 41 11  
Fax +41 (0)71 353 47 51  
www.hubersuhner.com

HUBER+SUHNER – Excellence in Connectivity Solutions

Doc. No. DOC-0000331648  
Art. No. 84098466  
Revision A